



# Access Just Got Smarter

[mcgrathsmartlocks.com.au](http://mcgrathsmartlocks.com.au)



# Most brands start with a product. Ours started with a problem.

In 2016, Graeme McGrath — a builder by trade from Brisbane, was using digital locks on job sites across QLD and kept running into the same issue: digital locks that looked good on paper but didn't hold up. The convenience was promising, but the products weren't. Some looked the part, others had features, but none were robust enough or made to withstand Australian conditions.

## A SMARTER WAY TO SECURE

The journey began with extensive search. Over time, hundreds of digital locks were tested — across brands, styles, and specs — all in search of something robust enough for the Australian environment.

By 2020, the business had evolved — transitioning from digital to truly smart locks, and partnering with TLock to bring smart access features into homes and businesses across the country. Around the same time, the team developed their own product, tailored to both residential and commercial applications.

## ACCESS JUST GOT SMARTER

Today, we design and supply trade-grade digital smart locks that blend:

- **Security you can trust**
- **Style that suits modern spaces**
- **Convenience for how we live and work today**

Whether you're protecting a home, multi-dwelling project, or commercial property, McGrath Locks are built to perform — and built to last.

## AUSSIE-DESIGNED SOLUTIONS. MADE FOR AUSSIE LIVING.

Proudly Aussie-designed, our products are engineered specifically for our unique and often demanding climate. From blazing sun and coastal air to dust, dirt, and daily wear — we don't just test for compliance, we test for the real world. Because when you're trusted to secure what matters, there's no room for compromise.

## FROM THE TRADE, FOR THE TRADE

Our products are trusted by locksmiths, builders, and security professionals across the country.

Our promise is to deliver smart access solutions that blend **technology with toughness**, and **design with dependability**.

## CHOOSE THE ACCESS TYPES BEST FOR YOUR LIFESTYLE

Our products have a large range of in-built access types to suit your needs



Fingerprint



Phone Access  
(Bluetooth)



PIN Code



Fobs & Cards



Mechanical Key

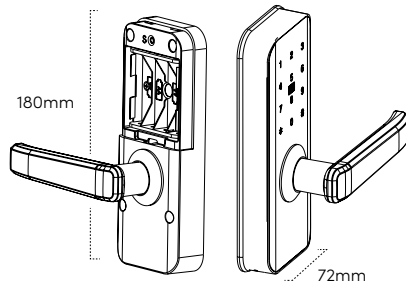
# ALBION

## Sleek & Stylish Bluetooth Smart Lock

Reliable & compact trade-grade residential smart lock, packed with smart features for easy access.



24 MONTH WARRANTY



Matt black or satin nickel

**FINISH**

35mm - 54mm

**DOOR THICKNESS**

180mm (H) x 72mm (W) x 25mm (D)

**LOCK CASE DIMENSIONS**

Tubular latch or mortice lock

**LOCK TYPE**

IP65 on external lock housing  
- Resists heavy rain

**WATER/DUST/SALT RESISTANCE RATING (IP CLASS)**

300,000

**CYCLE TESTED**

Yes

**AUSTRALIAN DESIGNED**



# ULTRA-SECUA

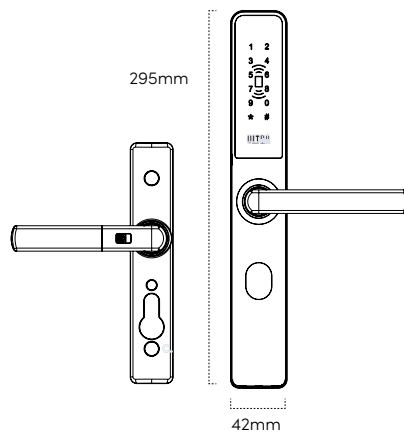
## Screen Door Smart Lock

This unique & intelligent screen door smart lock can be retrofitted to most existing screen doors.

With **dual unlocking**, your ULTRA-SECUA screen door lock and McGrath smart door lock behind it will both unlock simultaneously for easy access.

 **24 MONTH WARRANTY**  **IP66 WATER RESISTANT**

 **DUAL UNLOCK**



Matt black  
**FINISH**

19mm - 30mm  
**DOOR THICKNESS**

295mm (H) x 42mm (W) x 24mm (D)  
**LOCK CASE DIMENSIONS**

Screen door mortice  
**LOCK TYPE**

IP66 on external lock housing  
- Resists strong hose jets  
**WATER RESISTANCE RATING (IP CLASS)**

300,000  
**CYCLE TESTED**

Australian registered design No. 202014467  
**AUSTRALIAN DESIGNED**

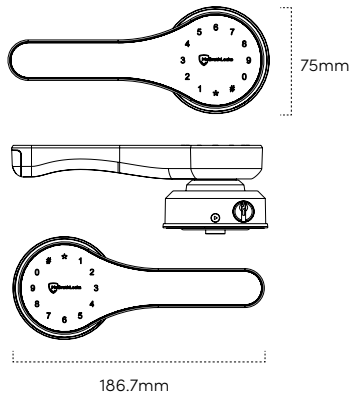


# ASCOT

## Double-Sided Smart Gate Lock

Suited to gates or doors that require to be locked from both sides, the ASCOT has high-level water & dust resistance for external use.

 24 MONTH WARRANTY  IP66 WATER RESISTANT



Satin chrome or black  
**FINISH**

35mm - 55mm  
**DOOR THICKNESS**

75mm (H) x 186.7mm (W) x 60mm (D)  
**LOCK ROSE DIMENSIONS**

Tubular latch  
**LOCK TYPE**

IP66 - Resists strong hose jets  
**WATER RESISTANCE RATING (IP CLASS)**

300,000  
**CYCLE TESTED**

Australian Registered Design No. 202215177  
**AUSTRALIAN DESIGNED**

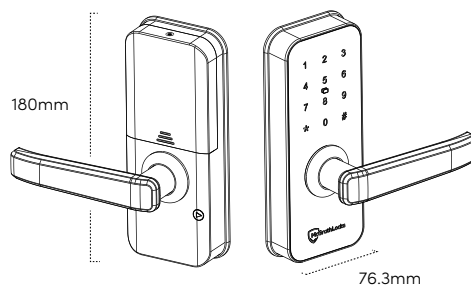


# WINDSOR

## Elegant & Compact Fire-Rated Smart Lock

This stylish smart lock's fire-rating permits it for use in high-density residential and semi-commercial applications.

 **24 MONTH WARRANTY**  **FIRE-RATED**



Matt black or satin nickel

**FINISH**

35mm - 54mm

**DOOR THICKNESS**

180mm (H) x 76.3mm (W) x 25mm (D)

**LOCK CASE DIMENSIONS**

Tubular latch or mortice lock

**LOCK TYPE**

IP65 on external lock housing  
- Resists heavy rain

**WATER RESISTANCE RATING (IP CLASS)**

2 hour Firecore & E-Core doors

**FIRE RATED**

300,000

**CYCLE TESTED**

Yes

**AUSTRALIAN DESIGNED**



TRADE-GRADE RANGE

# HAMILTON

## Elegant, Fire-Rated, DDA Compliant Smart Lock with Fingerprint Access

This versatile, robust & contemporary smart lock is the pinnacle of intelligent trade-grade security.

 24 MONTH WARRANTY  IP66 WATER RESISTANT

 FIRE-RATED  DDA COMPLIANT



Matt black or satin nickel

**FINISH**

35mm - 54mm

**DOOR THICKNESS**

260mm (H) x 45mm (W) x 23mm (D)

**LOCK CASE DIMENSIONS**

Tubular latch or mortice lock

**LOCK TYPE**

IP66 on external lock housing

**WATER RESISTANCE RATING (IP CLASS)**

2 hour Firecore & E-Core doors

**FIRE RATED**

DDA compliant lever design

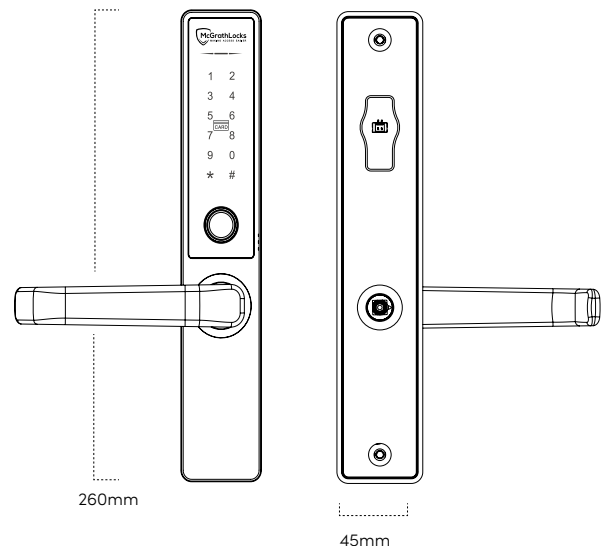
**DISABILITY COMPLIANCE**

300,000

**CYCLE TESTED**

Australian Registered Design No. 202316722

**AUSTRALIAN DESIGNED**





MADE FOR AUSSIE CONDITIONS



AUSSIE DESIGNED



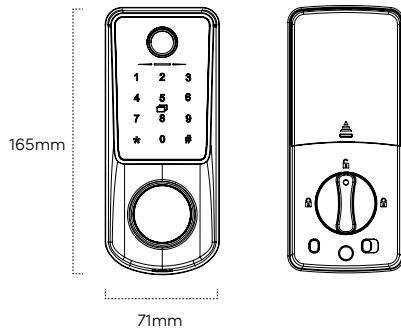
DOWNLOAD THE  
MCGRATH SMART LOCKS APP

# KEDRON

## Smart Deadbolt Lock with Fingerprint Access

This sleek & feature-packed trade-grade smart deadbolt lock can be retrofitted to most existing deadbolt installations.

 24 MONTH WARRANTY



Matt Black or Satin Nickel  
**FINISH**

35mm - 60mm (can extend up to 100mm with additional tailbar)  
**DOOR THICKNESS**

165mm (H) x 71mm (W) x 28mm (D)  
**LOCK CASE DIMENSIONS**

SS304 adjustable 60-70mm anti-saw bolt  
**LOCK TYPE**

IP65 on external lock housing - Resists heavy rain  
**WATER RESISTANCE RATING (IP CLASS)**

300,000  
**CYCLE TESTED**

Australian Registered Design No. 202513993  
**AUSTRALIAN DESIGNED**



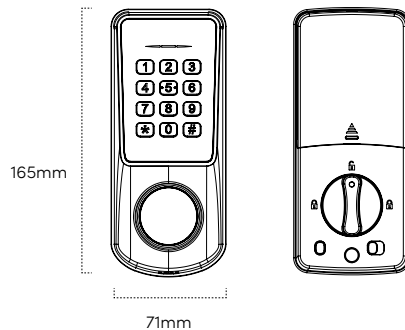
# ASHGROVE

## Smart Deadbolt Lock with Raised Buttons

Combining user-friendly braille buttons and a stylish tempered glass screen, access just got smarter.

 BRAILLE RAISED BUTTONS

 24 MONTH WARRANTY



Matt Black or Satin Nickel  
**FINISH**

35mm - 60mm (can extend up to 100mm with additional tailbar)  
**DOOR THICKNESS**

165mm (H) x 71mm (W) x 28mm (D)  
**LOCK CASE DIMENSIONS**

SS304 adjustable 60-70mm anti-saw bolt  
**LOCK TYPE**

IP65 on external lock housing  
- Resists heavy rain  
**WATER RESISTANCE RATING (IP CLASS)**

300,000  
**CYCLE TESTED**

Australian Registered Design No. 202513992  
**AUSTRALIAN DESIGNED**



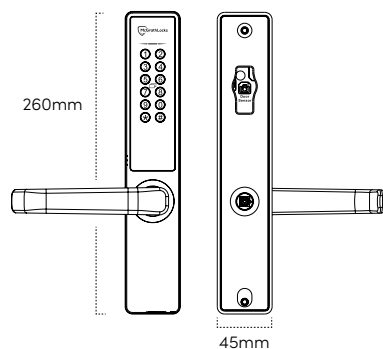
# STAFFORD

## Robust Commercial Smart Lock

An intelligent, fire, water and dust-resistant smart lock, combining user-friendly raised buttons with disability compliance.

 **DDA COMPLIANT**  **IP66 WATER RESISTANT**

 **24 MONTH WARRANTY**  **FIRE-RATED**



Matt Black or Satin Nickel  
**FINISH**

35mm - 55mm  
**DOOR THICKNESS**

260mm (H) x 45mm (W) x 23mm (D)  
**LOCK CASE DIMENSIONS**

Tubular latch or mortice lock  
**LOCK TYPE**

IP66 on external lock housing  
- Resists strong hose jets  
**WATER RESISTANCE RATING (IP CLASS)**

2 hour Firecore & E-Core doors  
**FIRE RATED**

DDA compliant lever design  
**DISABILITY COMPLIANCE**

300,000  
**CYCLE TESTED**

Australian Registered Design No. 202513269  
**AUSTRALIAN DESIGNED**



# BARDON

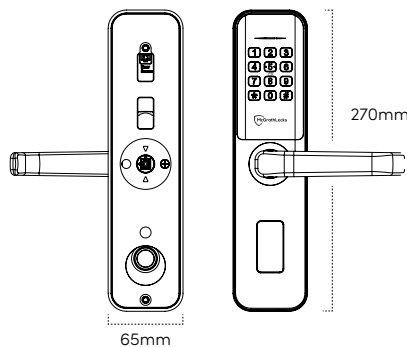
## High-Traffic Commercial Smart Lock

Disability compliance combines with user-friendly braille raised buttons in this fire, water & dust-resistant smart lock.

 BRAILLE RAISED BUTTONS  FIRE-RATED

 24 MONTH WARRANTY  IP66 WATER RESISTANT

 DDA COMPLIANT



Matt Black or Satin Nickel

**FINISH**

35mm - 55mm

**DOOR THICKNESS**

270mm (H) x 65mm (W) x 25mm (D)

**LOCK CASE DIMENSIONS**

Mortice lock

**LOCK TYPE**

IP66 on external lock housing  
- Resists strong hose jets

**WATER RESISTANCE RATING (IP CLASS)**

2 hour Firecore & E-Core doors

**FIRE RATED**

DDA compliant lever design

**DISABILITY COMPLIANCE**

300,000

**CYCLE TESTED**

Australian Registered Design No. 202513268

**AUSTRALIAN DESIGNED**

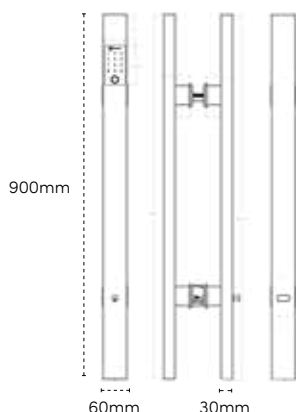


# GRANGE

## Elegant Pull-Handle Smart Lock

A unique fingerprint smart lock for contemporary homes.

 24 MONTH WARRANTY



Matt Black or Satin Stainless Steel  
**FINISH**

35mm - 55mm (can extend up to 100mm with additional tailbar)  
**DOOR THICKNESS**

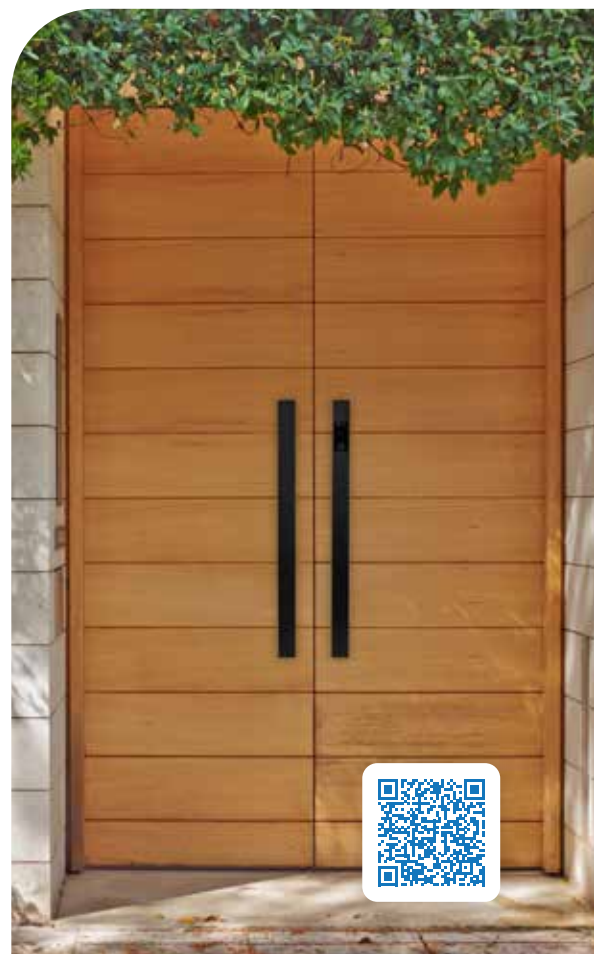
900mm (H) x 60mm (W) x 30mm (D)  
**LOCK CASE DIMENSIONS**

SS304 adjustable 60-70mm anti-saw bolt, plus additional roller bolt  
**LOCK TYPE**

IP65 on external lock housing - Resists heavy rain  
**WATER RESISTANCE RATING (IP CLASS)**

200,000  
**CYCLE TESTED**

Patent No. 2021101919  
**AUSTRALIAN DESIGNED**



### Accompanying parts also available

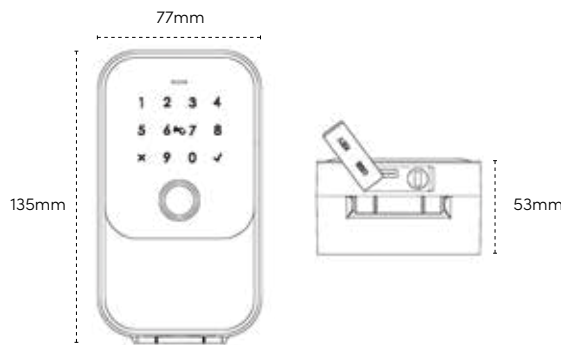
PART	DESCRIPTION
MLSPXTPGRA100	Extended Tail Piece And Connector Bar For Grange Models, Suits Door Thickness 75mm - 100mm
MLSPXTPGRA75	Extended Tail Piece For Grange Models, Suits Door Thickness 52mm - 75mm
MLGRANGEDUMMYSS	Grange Dummy Entrance Pull Handle in Satin Stainless Steel Finish
MLGRANGEDUMMYBK	Grange Dummy Entrance Pull Handle in Black Finish

# KEYSAFE

## Smart Keysafe with Fingerprint Access

A versatile & convenient smart key storage solutions for any home, office or business.

 12 MONTH WARRANTY



Black  
**FINISH**

138mm (H) x 82.5mm (W) x 57mm (D)  
**PRODUCT DIMENSIONS (INCLUDING COVER)**

Keysafe  
**LOCK TYPE**

IP65 on external lock housing  
- Resists heavy rain  
**WATER RESISTANCE RATING (IP CLASS)**



# Smart Basic Series

 12 MONTH WARRANTY



## A236

Black or Silver  
FINISH

320mm (H) x 36mm  
(W) x 24.3mm (D)  
DIMENSIONS

Mortice Lock with  
85mm pitch  
LOCK TYPE



## A210

Black or Silver  
FINISH

303mm (H) x 43mm  
(W) x 22.5mm (D)  
DIMENSIONS

Mortice Lock with  
85mm pitch  
LOCK TYPE



## A231

Black or Silver  
FINISH

316mm (H) x 31mm  
(W) x 20.7mm (D)  
DIMENSIONS

Mortice lock with  
85mm pitch  
LOCK TYPE



## NX1

Black or Silver  
FINISH

234mm (H) x 76mm  
(W) x 25mm (D)  
DIMENSIONS

Tubular latch or  
60/50 mortice lock  
LOCK TYPE



## NX5

Black or Silver  
FINISH

255mm (H) x 65mm  
(W) x 21mm (D)  
DIMENSIONS

Tubular latch or  
60/50 mortice lock  
LOCK TYPE



## NX6

Black or Silver  
FINISH

370mm (H) x 75mm  
(W) x 24mm (D)  
DIMENSIONS

60/68 mortice lock  
LOCK TYPE



# Accessories

12 MONTH WARRANTY

## The Z-Chip

Perfect for expanding your McGrath Locks setup to roller doors, gates, bollards, or electric strikes and maglocks via a buffered relay.

Black

**FINISH**

Real time chip and antenna

**BUILT IN**

30mm (H) x 21mm (W) x 50mm (L)

**CASE DIMENSIONS**

IP68

**WATER RESISTANCE RATING (IP CLASS)**



McGrath Z-Chip & Remote

## Keypad Control

A variety of keypads, perfect for applications such as electric gates.

**MLKPRBH52SL**  
Keypad



**MLKPRBB56SL**  
Keypad



**MLKPTGFP70SL**  
Keypad



**MLKPTGFP43SL**  
Keypad



## Credentials

We offer a variety of credential options to meet your and your family's specific needs.

**FOB**



**WRISTBAND**



**CARD**



**STICKER**



# Unlock Your Lifestyle

## The McGrath Locks App

The McGrath Locks App lets you unlock or grant access with ease. Share entry effortlessly with family and visitors by granting temporary, timed or recurring access to others.

Don't have access to your phone? With PIN Code access, swipe tags, swipe cards, fingerprint and even physical keys, access has never been smarter.

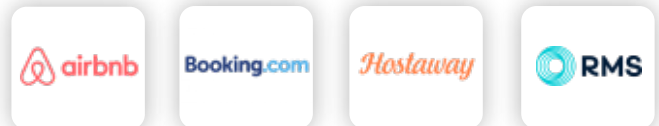
Download the App



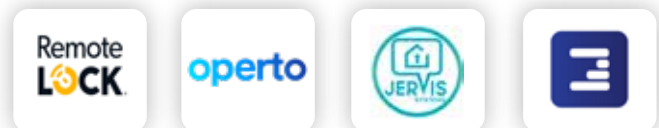
## Booking Software Integrations

The McGrath Locks App is powered by TLock technology, giving you access to thousands of integrations with popular smart home and booking platforms.

Booking platforms



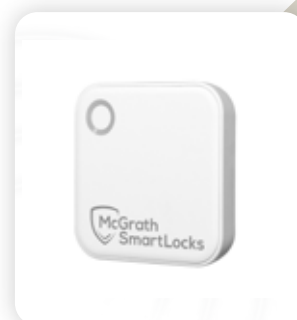
Integration Partners



## Connect McGrath Locks to Wi-Fi

By connecting your McGrath Smart Locks and products to Wi-Fi, you can operate and monitor them from wherever you have the internet - that means you could be on the other side of the world!

To connect a McGrath Locks product to Wi-Fi you simply need to purchase a Wi-Fi gateway. McGrath have three different gateways to meet your specific needs, the G3, G4 and G5.



McGrath G5 Gateway



# How To Buy

McGrath Smart Locks are available through a wide network of retailers and installers, both nationally and internationally.

Our trusted network of qualified locksmiths and trade professionals is available to provide expert advice and installation when you need it.

Visit the McGrath Smart Locks website to connect with your local locksmith and find trusted retailers and installers in your area.



Connect to your friendly local Retailer or Installer



**A J Edden**  
Australia  
2 Callistemon Close  
Warabrook, NSW 2304, Australia  
02 4068 5552  
www.aje.com.au  
Get Directions

**A Raynorshine Locksmith**  
Australia  
Regions covered:  
Yorke Peninsula, Mid North SA, Far North SA, Broken Hill & Walkerfield Region SA, Port Pirie South  
SA 3540, Australia  
08 3165 6319  
Get Directions



mcgrathsmartlocks.com is a great place to start.

View guides for choosing the right smart lock



Browse the full range



Discover the right smart lock for your needs by exploring McGrath's two product ranges.

## TRADE-GRADE RANGE

Expertly designed in Australia to meet the demands of local conditions, and the standards of Australian locksmiths, homes, and businesses.

24 MONTH WARRANTY

## SMART BASIC SERIES

Entry level smart locks that provide many popular smart lock features.

12 MONTH WARRANTY

