

SECURAM

SAFE LOCKS CATALOG



SECURAM

RELIABLE
INNOVATIVE
TRUSTED

TABLE OF CONTENTS

1.0 SAFELOGIC STEALTH

2.0 SMART SAFE LOCKS

- 2.1 PROLOGIC SMART
- 2.2 SCANLOGIC SMART
- 2.3 SAFE MONITOR

3.0 SAFELOGIC SERIES

- 3.1 BASIC
- 3.2 TOPLIT
- 3.3 BACKLIT

4.0 LOCK BODIES

5.0 DIRECT DRIVE SERIES

- 5.1 DIRECT DRIVE
- 5.2 C10 DIRECT DRIVE

6.0 SAFELOGIC XTREME

7.0 PROLOGIC SERIES

- 7.1 L01
- 7.2 L02
- 7.3 L22
- 7.4 L62
- 7.5 L66
- 7.6 L66 PLUS
- 7.7 E66
- 7.8 PROLOGIC WEBLINK
- 7.9 PROLOGIC R22

8.0 SCANLOGIC SERIES

- 8.1 BASIC
- 8.2 OPTICAL
- 8.3 AUDIT
- 8.4 D22
- 8.5 D66

SECURAM

SAFELOGIC STEALTH



SAFELOGIC STEALTH SAFE LOCK

The SafeLogic STEALTH is a sleek, robust safe lock system ideal for residential and gun safe applications where style, stealth and privacy are the name of the game. With its backlit LED display that wakes at the touch of your hand, the Stealth can disguise your code entry from prying eyes with its unique randomized number feature.

Not only does it help keep your entry code safe from view but you have the ability to enter stealth mode by turning the beeper off to remain inconspicuous and undetected in emergency situations.

When not in active use the Stealth, with its blackout standby screen, looks hi-tech and sleek, a compliment to the beauty of your safe.

SIMPLE TO USE • RELIABLE

- Swipe your palm across the screen to wake up the display
- Enter your code and turn the safe handle. That's it.
- If you are being watched as you enter your code, first press *, this will turn on the randomized number feature. Digits will be randomized, making it difficult for onlookers to see your code as you enter it.
- Turn on stealth mode, by pressing and holding the * button, this turns the beeper off. Enter your code in silence to open the safe.

FEATURES

- 2 User codes: Manager and User
- Reset code
- 6 digit code
- Enter Stealth mode: Turn on/off beeper
- Randomize the number placement on screen
- Penalty Lock out after 4 incorrect codes
- Stainless Steel housing with CNC finish
- Removable faceplate and easy battery access
- Standard footprint and mounting pattern, easy retrofit for any mechanical or electronic safe lock
- Available finishes: Chrome, Brass, and Black Chrome



STANDARD NUMBER PATTERN



RANDOMIZED NUMBER FEATURE

SECURAM PROLOGIC SMART



PROLOGIC SMART SAFE LOCK

The ProLogic SMART Safe Lock is the industry's only electronic safe lock that allows remote control and management right from your smartphone. Once paired with our SECURAM Guard app and Smart Hub, the smart safe lock can be controlled from anywhere. Open your safe, receive alerts related to your safe security, change your code, add users, view events right on the app. True remote capability.

SIMPLE TO USE • RELIABLE

At your safe, enter your 6 digit code and turn the safe handle. With the app, enter the code and click to open. The safe lock will automatically open for immediate access right from your smartphone.

FEATURES

- 4 Codes: 1 Super, 1 Manager, Manager 2 and 1 User
- Connects to Wi-Fi with use of the Smart Hub
- Remote control and management using SECURAM Guard App
- Remote Open
- Add & Delete Users
- Push Notifications
- Send time-based One Time Use guest codes
- Local connectivity using Bluetooth
- Color OLED screen provides user feedback and makes programming simple
- SureLock Battery Management; AC power optional
- Standard footprint and mounting pattern, easy retrofit for any mechanical or electronic safe lock
- Finishes available: Chrome
- Can be paired with any SECURAM motorized safe lock bodies

**For smart safe lock remote service, a Smart Hub is required. Remote service fee applies; \$3.99 per month or \$39.99 annually - this is an in-app purchase. Remote service can be canceled at any time.*

PART # EC-0601A-B22-C-II-CH



SECURAM

SCANLOGIC SMART



SCANLOGIC SMART SAFE LOCK

The ScanLogic SMART Safe Lock is the industry's only RF biometric electronic safe lock that allows remote control and management right from your smartphone. Once paired with our SECURAM Guard app and Smart Hub, the smart safe lock can be controlled from anywhere. Open your safe, receive alerts related to your safe security, change your code, add users, view events right on the app. True remote capability.

SIMPLE TO USE • RELIABLE

At your safe, place your finger on the scanner and turn the safe handle. With the app, enter the code and click to open. The safe lock will automatically open for immediate access right from your smartphone.

FEATURES

- 4 Fingerprints/Codes: 1 Super, 1 Manager, Manager 2, and 1 User
- Connects to Wi-Fi with use of the Smart Hub
- Remote control and management using SECURAM Guard App
- Remote Open
- Add & Delete Users
- Push Notifications
- Send time-based One Time Use guest codes
- Local connectivity using Bluetooth
- Color OLED screen provides user feedback and makes programming simple
- SureLock Battery Management; AC power optional
- Standard footprint and mounting pattern, easy retrofit for any mechanical or electronic safe lock
- Finishes available: Chrome
- Can be paired with any SECURAM motorized safe lock bodies



**For smart safe lock remote service, a Smart Hub is required. Remote service fee applies; \$3.99 per month or \$39.99 annually - this is an in-app purchase. Remote service can be canceled at any time.*

PART # FPC-0601A-B22-C-II-CH



SECURAM SAFE MONITOR



SAFE MONITOR

The SECURAM Safe Monitor is a smart device placed inside your safe to track temperature, humidity, vibration, and motion.

SIMPLE TO USE • RELIABLE

With the SECURAM Guard App, keep an eye on the status of your valuables, customize your settings and choose who receives notifications. With the built-in vibration and light sensor, know when your safe is being accessed, or even tampered with. The SECURAM Safe Monitor comes with two external Wi-Fi antenna options. One may be placed inside the safe, or the other may be routed to the outside of the safe for a robust and reliable connection.

FEATURES

- Easy set-up with built-in Wi-Fi
- Easily monitor safe's internal temperature and humidity conditions, open-door status, and receive notifications on vibration right to your smartphone
- Receive alerts when the temperature, humidity and vibration sensitivity set points are outside range
- Receive open-door status notifications when light is detected
- 3 AA batteries (up to 1 year) or AC power adapter (sold separately)
- Two (2) Wi-Fi antennas. One is for internal use and the other is to extend the Wi-Fi range, when necessary

PART # SH-SM01-A

DIMENSIONS: 3.88 X 2.56 X 0.75 INCHES

REQUIREMENTS:

- FREE SECURAM GUARD APP FOR IOS OR ANDROID
- IOS OR ANDROID SMARTPHONE
- WI-FI INTERNET CONNECTION (802.11 B/G/N 2.4GHZ)



SECURAM

SAFELOGIC BASIC



SAFELOGIC BASIC SAFE LOCK

The SafeLogic Basic is a very reliable and robust safe lock system ideal for most applications. The SafeLogic Basic features SECURAM's rugged stainless steel construction.

This EntryPad can be paired with any of the 4 SECURAM Lock Bodies: SwingBolt, DeadBolt, SpringBolt and StrikeBolt.

SIMPLE TO USE • RELIABLE

- Enter your 6 digit code and turn the safe handle. That's it.
- Easy keypad programming allows for code changes, additions, and deletions. Enable and Disable function also available.
- SureLock Battery Compartment for easy Battery replacement, without removing the entrypad from the safe door.
- Every SECURAM lock undergoes a 2,000 cycle quality management program before it leaves the manufacturing facility.
- Unprecedented commitment to quality and reliability.

FEATURES

- 2 User Codes
- Manager Code
- User Code
- 6 Digit Code
- Penalty LockOut after 4 incorrect codes
- Stainless Steel EntryPad Housing
- Can be paired with any SECURAM Lock
- Simple Mechanical Reset
- Standard footprint makes for easy retrofit
- SureLock Battery Management
- Finishes:
 - Chrome - CH
 - Brass - BR
 - Black Chrome - BC



BRASS



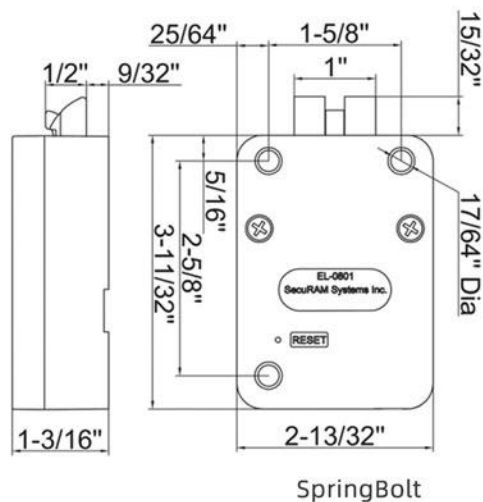
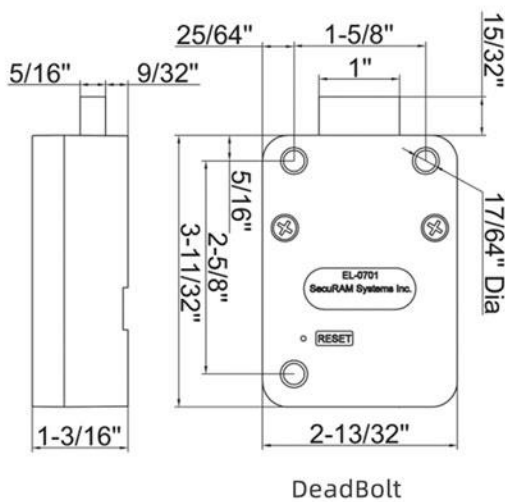
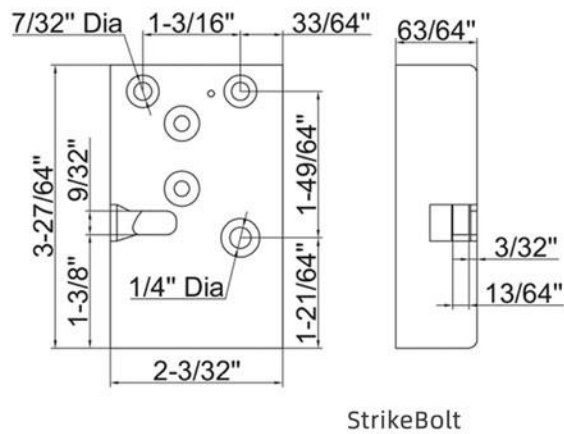
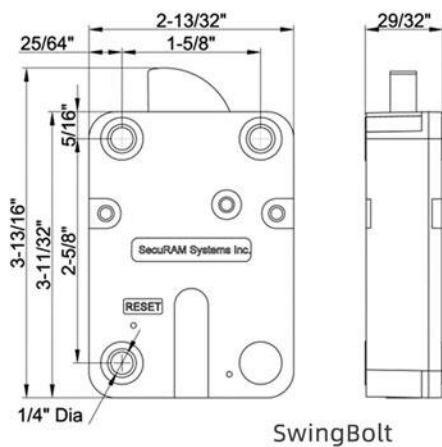
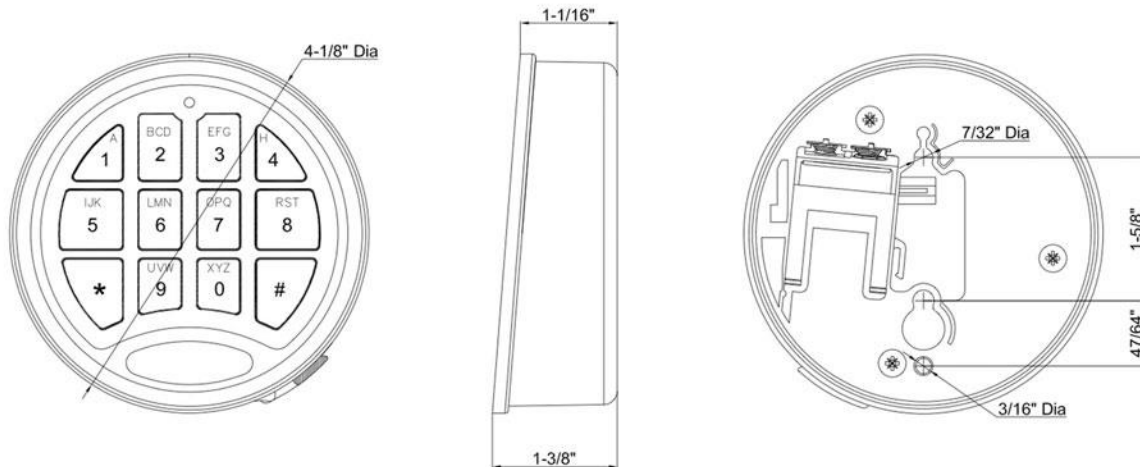
BLACK CHROME



SURELOCK BATTERY
COMPARTMENT FOR EASY
BATTERY CHANGES

Part # EC-0601A-II

SECURAM



Specifications

| | |
|---------------------|------------------------------------|
| Power Supply | (1) 9V Alkaline Battery (Duracell) |
| Battery Life Span | About one year |
| Code Length | 6 Digits |
| Standby Current | <50uA |
| Battery Low Voltage | 5.4+/-0.2V |
| Operating Humidity | 90% Maximum |

SECURAM

SAFELOGIC TOPLIT



SAFELOGIC TOPLIT SAFE LOCK

The SafeLogic TopLit is a very reliable and economical safe lock system ideal for most applications. The SafeLogic TopLit features SECURAM's interchangeable ring as well as top lighting for improved access in dimly-lit locations. With the interchangeable ring, you can switch from Chrome to Brass in a flash - just replace the ring.

SIMPLE TO USE • RELIABLE

- Enter your 6 digit code and turn the safe handle. That's it.
- Easy keypad programming allows for code changes, additions, and deletions. Enable and Disable function also available.
- Battery Changes are simple. Turn EntryPad ring counterclockwise to remove. Then slide out 9 Volt Battery from its compartment.
- Every SECURAM lock undergoes a 2,000 cycle quality management program before it leaves the manufacturing facility. Unprecedented commitment to quality and reliability.

FEATURES

- TopLit EntryPad
- 2 User Codes
- Manager Code
- 6 Digit Code
- Penalty Lockout after 4 incorrect codes
- Removable Ring - Color Change
- Polycarbonate EntryPad Housing
- Can be paired with any SECURAM Lock
- Simple Mechanical Reset
- Standard footprint makes for easy retrofit
- Finishes:
 - Chrome -CH
 - Brass - BR



Brass

Chrome

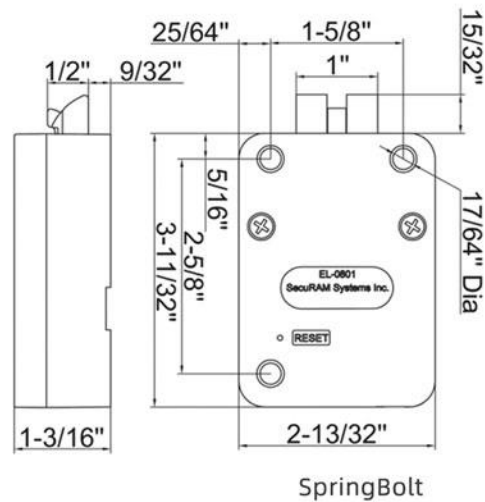
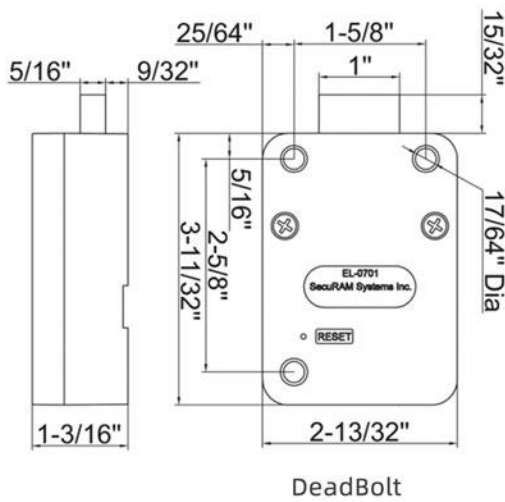
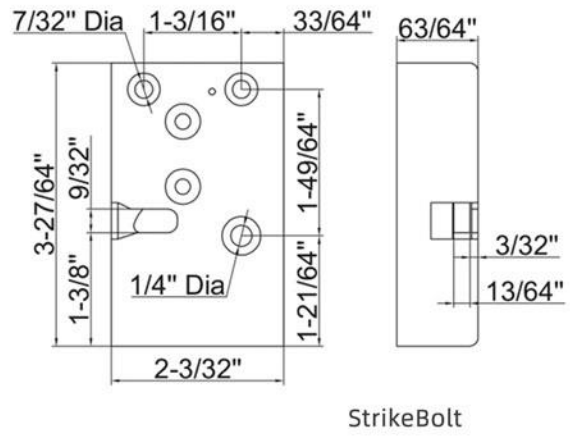
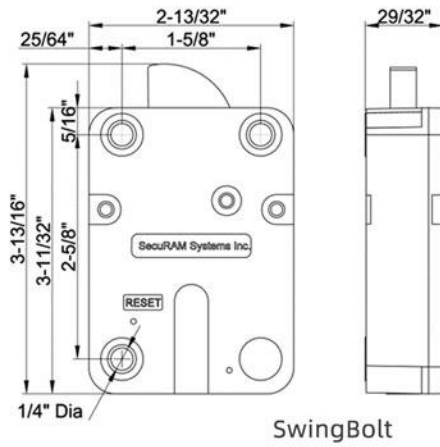
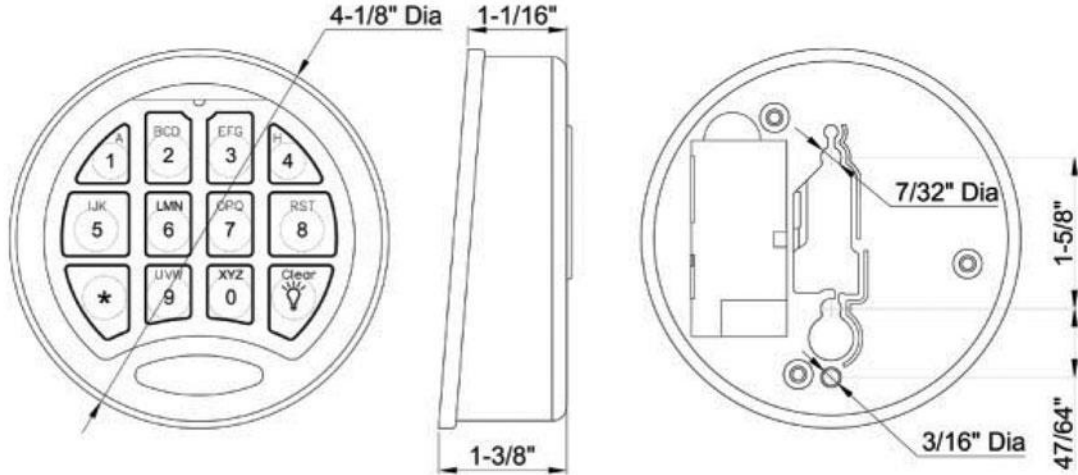


REMOVABLE RING FOR EASY FINISH CHANGE

PART # EC-0601A-PL

SECURAM

www.securamsys.com



Specifications

| | |
|---------------------|------------------------------------|
| Power Supply | (1) 9V Alkaline Battery (Duracell) |
| Battery Life Span | About one year |
| Code Length | 6 Digits |
| Standby Current | <50uA |
| Battery Low Voltage | 5.4+/-0.2V |
| Operating Humidity | 90% Maximum |

SECURAM

SAFELOGIC BACKLIT



SAFELOGIC BACKLIT SAFE LOCK

The SafeLogic BackLit is a very reliable and robust safe lock system ideal for most applications. The SafeLogic BackLit features SECURAM's rugged stainless steel construction. This EntryPad also features BackLighting making access easy in dimly lit areas.

SIMPLE TO USE • RELIABLE

- Enter your 6 digit code and turn the safe handle. That's it.
- Easy keypad programming allows for code changes, additions, and deletions. Enable and Disable function also available.
- Battery Changes are simple.
- Every SECURAM lock undergoes a 2,000 cycle quality management program before it leaves the manufacturing facility.
- Unprecedented commitment to quality and reliability.

FEATURES

- BackLit EntryPad
- 2 User Codes
- Manager Code
- User Code
- 6 Digit Code
- Penalty LockOut after 4 incorrect codes
- Stainless Steel EntryPad Housing
- Can be paired with any SECURAM Lock
- Simple Mechanical Reset
- Standard footprint makes for easy retrofit
- SureLock Battery Management
- Finishes:
 - Chrome - CH
 - Brass - BR
 - Black Chrome - BC



**ENTRYPAD VISIBLE
IN THE DARK**

Part # EC-0601A-BL-II

SECURAM LOCK BODIES



SWINGBOLT - PART # EL-0601

The SwingBolt is a dual handed (reversible) swing bolt motor drive lock, with auto relocking feature.

SWINGBOLT WITH STATUS - PART # EL-0601-S

This SwingBolt is also a dual handed (reversible) swing bolt motor drive lock with the added feature of an integrated Lock status sensor. The lock status sensor reports open/closed positions to the LCD screen and audit trail.

DEADBOLT - PART # EL-0701

The DeadBolt is a square bolt motor drive lock. It uses a patented "helix compression" retraction method to retract the lock bolt, and then auto extends after 6 seconds. Includes an integrated Lock status sensor.

SPRINGBOLT -PART # EL-0801

The Spring Bolt is a motor driven on-dead latching square bolt for use on interior compartment applications. Includes an integrated Lock status sensor.

STRIKEBOLT-PART # EL-0901

The Strike Bolt uses a motor drive strike mechanism for use on interior compartment or cabinet applications.



SWINGBOLT



SWINGBOLT
WITH STATUS



DEADBOLT



SPRINGBOLT



STRIKEBOLT

SECURAM

SAFELOGIC DIRECT DRIVE



SAFELOGIC DIRECT DRIVE

The Direct Drive is our latest in a line of innovative safe lock systems. The lock offers manual bolt retraction. Enter a valid code and then turn the entrypad to retract the bolt.

The deadbolt is perfect for push/pull bolt applications. The drilled and tapped bolt can be used to attach to boltwork or add bolt extensions. The entrypad is stainless steel and features our high-tech milled finish look. The 9V battery is housed in the entrypad and can be changed easily.

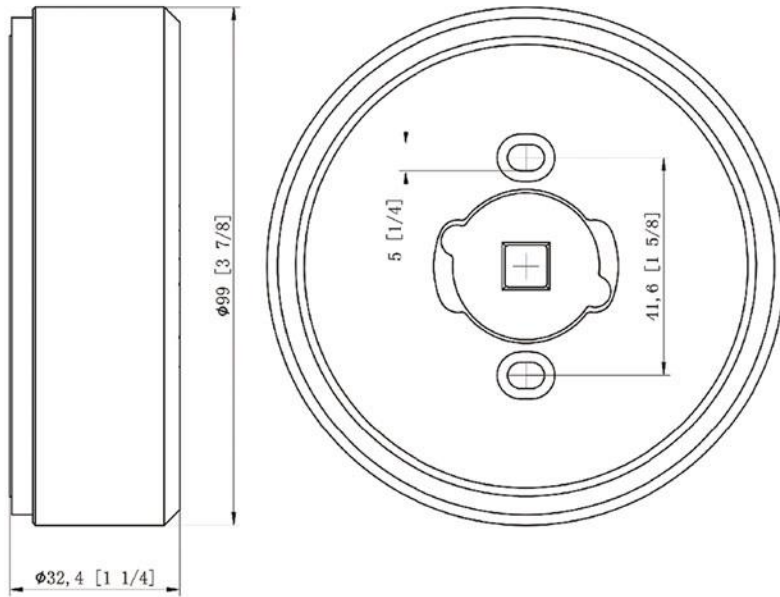
FEATURES

- 2 codes: 1 manager, and 1 user code
- 6 digit code length
- Enter a valid code, then turn the EntryPad to retract the DeadBolt
- Unique no-twist cable design
- DeadBolt is drilled and tapped to allow bolt extensions or attachments
- 10,000+ openings on a 9 volt battery
- Enable and disable user codes
- Option to turn off beeper
- Available finish: Chrome

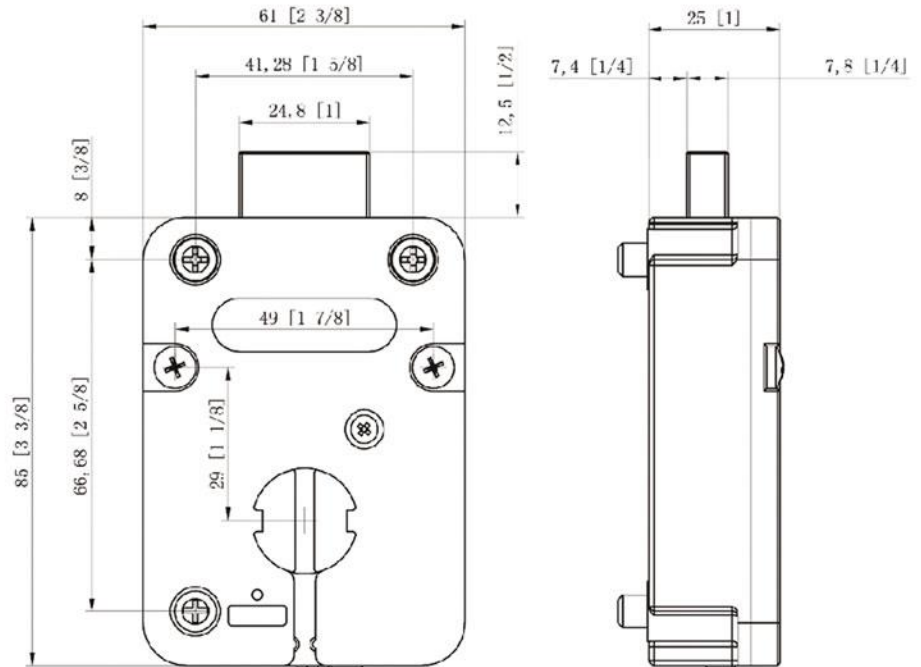
PART #

ENTRYPAD: EM-1701A-R-CCH

LOCK BODY: DL-1701



SAFELOGIC DIRECT DRIVE EntryPad



DIRECT DRIVE DEADBOLT LOCK BODY

| Specifications | |
|--------------------|------------------------------------|
| Power Supply | (1) 9V Alkaline Battery (Duracell) |
| Power Supply Range | DC 4.5V ~ 12V |
| Code Length | 6 Digits |
| Standby Current | Specification < 50uA |
| Active Current | < 20mA |
| Operating Humidity | 90% Maximum |
| Temperature Range | 32° F to 120° F |
| Battery Current | 5.2+/- 0.2V |

SECURAM

SAFELOGIC DIRECT DRIVE C10



SAFELOGIC DIRECT DRIVE C10

The Direct Drive is our latest in a line of innovative safe lock systems. The lock offers manual bolt retraction. Enter a valid code and then turn the EntryPad to retract the bolt.

The DeadBolt is perfect for push/pull bolt applications. The drilled and tapped bolt can be used to attach to boltwork or add bolt extensions. The EntryPad is stainless steel and features our high-tech milled finish look. The 9V battery is housed in the entrypad and can be changed easily.

FEATURES

- 10 codes: 1 manager, and 9 user codes
- 6 digit code length
- Enter a valid code, then turn the EntryPad to retract the DeadBolt
- Unique no-twist cable design
- DeadBolt is drilled and tapped to allow bolt extensions or attachments
- 10,000+ openings on a 9 volt battery
- 100 time/date stamped audit with *C10 Audit Software and USB (*sold separately)
- Enable and disable user codes
- Time Delay functionality 1-45 min; programmable Opening Window 1-15 min
- Time Delay Override
- Dual Mode and Dual Mode Override
- Option to turn off beeper
- Available finish: Chrome



**SAFELOGIC C10
DIRECT DRIVE**



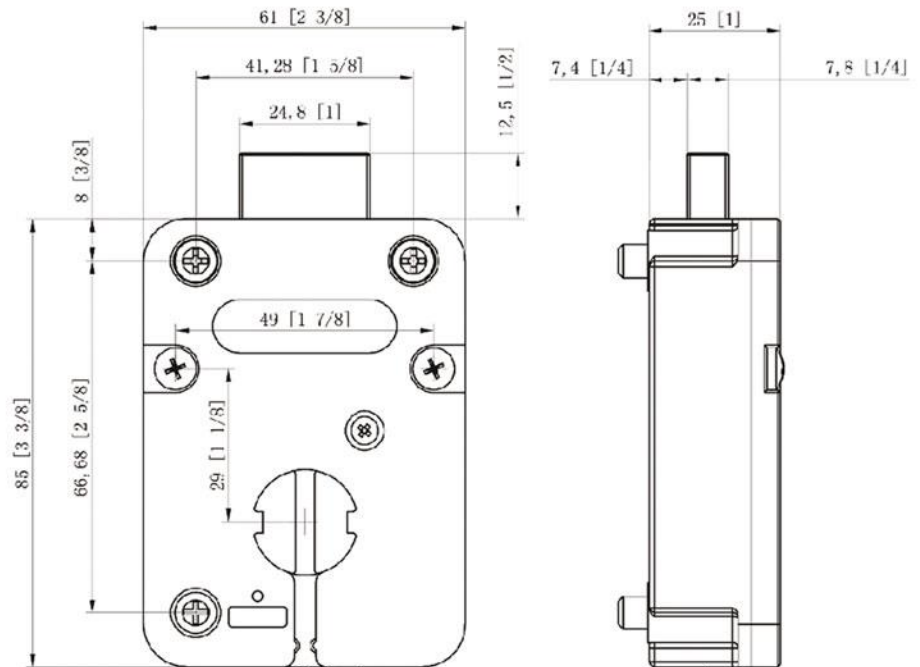
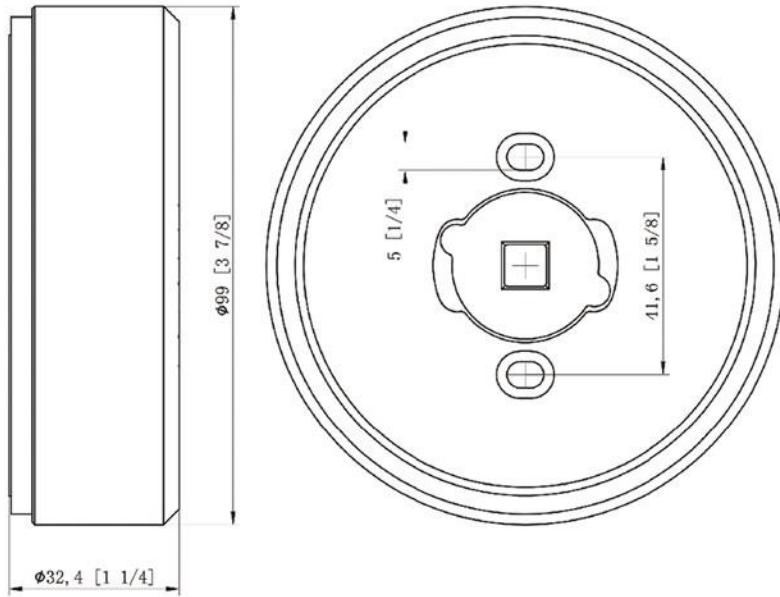
**C10 USB ADAPTER
TO DOWNLOAD AUDIT
PART # UA-1801**

PART #

ENTRYPAD: EM-1701A-C10-CCH

LOCK BODY: DL-1701

SAFELOGIC DIRECT DRIVE C-10 EntryPad



DIRECT DRIVE DEADBOLT LOCK BODY

| Specifications | |
|--------------------|------------------------------------|
| Power Supply | (1) 9V Alkaline Battery (Duracell) |
| Power Supply Range | DC 4.5V ~ 12V |
| Code Length | 6 Digits |
| Standby Current | Specification < 50uA |
| Active Current | < 20mA |
| Operating Humidity | 90% Maximum |
| Temperature Range | 32° F to 120° F |
| Battery Current | 5.2+/- 0.2V |

SECURAM SAFELOGIC XTREME



SAFELOGIC XTREME SAFE LOCK

The SafeLogic Xtreme is a highly advanced electromechanical safe lock system that offers EMP protection. Access assured. SafeLogic Xtreme features push button code access for everyday use PLUS SpinDial access when situations demand it.

SIMPLE TO USE • RELIABLE

- Push Button access: Enter your 6 digit code and turn the safe handle.
- Spin Dial Access: Dial your 3 wheel combination, and turn the safe handle. That's it.
- Easy keypad programming allows for code changes, additions, and deletions.
- Enable and Disable function also available.
- EntryPad is BackLit for easy code entry lighting -even in the dark.
- SafeLogic Xtreme features Instant AutoLock feature which assures your safe is locked and secure, the moment you close the door.

FEATURES

- 2 Codes: Manager Code and User Code PLUS SpinDial Combination
- EntryPad is BackLit. Press any button and the Backlighting activates
- Instant AutoLock feature
- 10,000+ openings on a 9 Volt battery
- 5 minute Penalty LockOut upon entry of 4 incorrect codes
- Rugged Stainless Steel EntryPad Housing
- Standard footprint and mounting pattern, easy retrofit for any mechanical or electronic safe lock
- Finishes Available: Chrome, Brass, Black Chrome

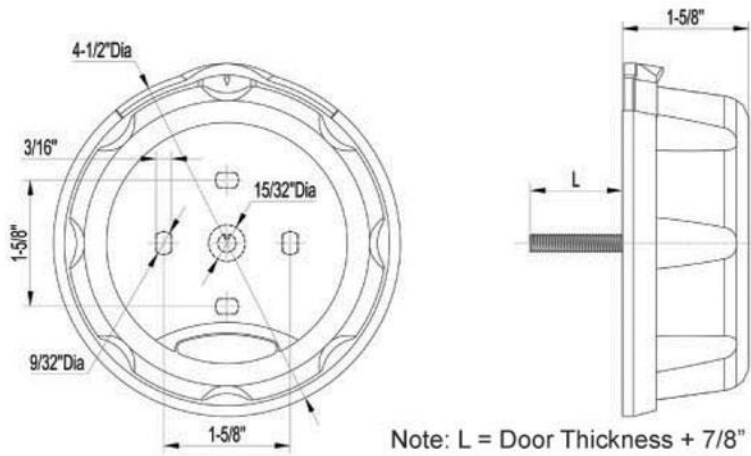
Part #: EC-1501A-X-CH + XL-1501



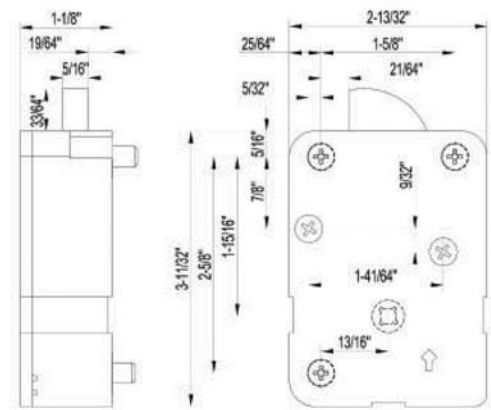
**PUSH BUTTON ACCESS
FOR EVERYDAY USE**



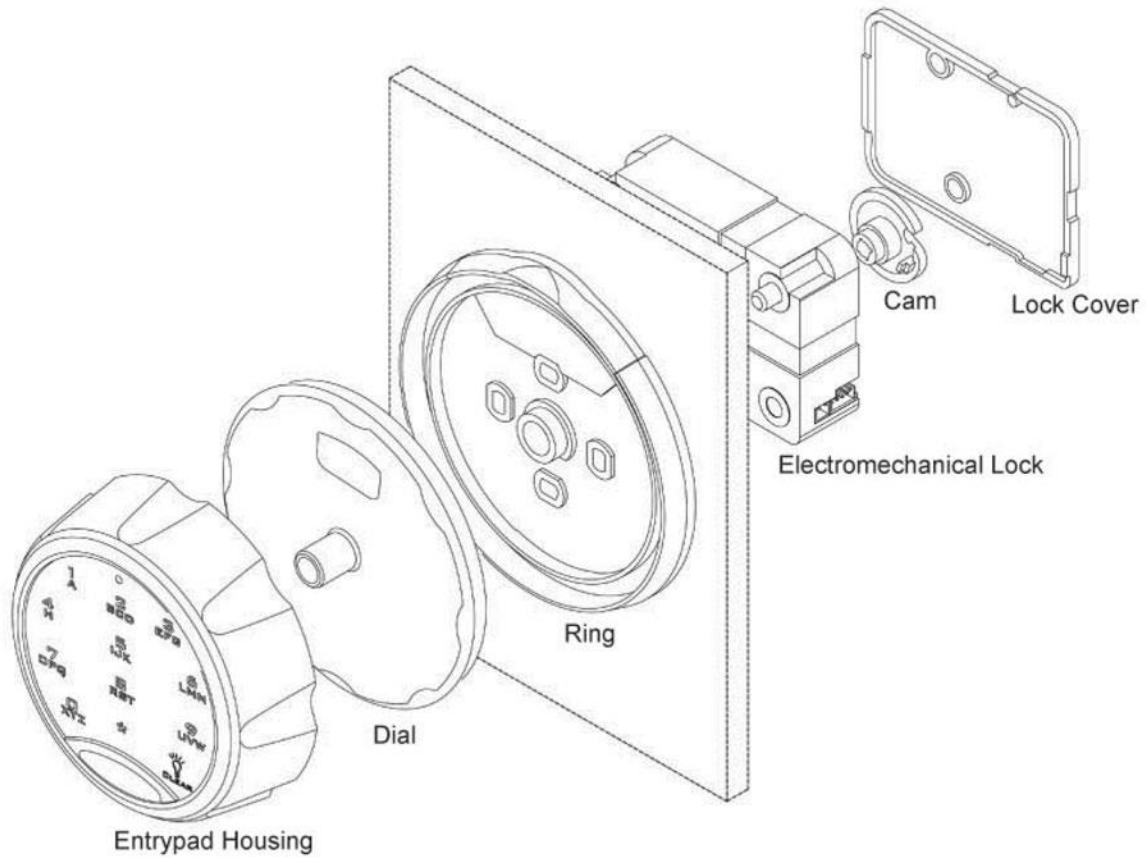
**SPINDIAL ACCESS
FOR XTREME SITUATIONS**



SafeLogic Xtreme – Part # EC-1501A-X



Electromechanical Part # XL-1501



| Specifications | |
|---------------------|---|
| Code Length | 6 Digits; 3 Number SpinDial Combination |
| Battery Life Span | About one year |
| Code Length | 6 Digits |
| Standby Current | <50uA |
| Battery Low Voltage | 5.4+/-0.2V |
| Operating Humidity | 90% Maximum |

SECURAM

PROLOGIC L01



PROLOGIC L01 SAFE LOCK

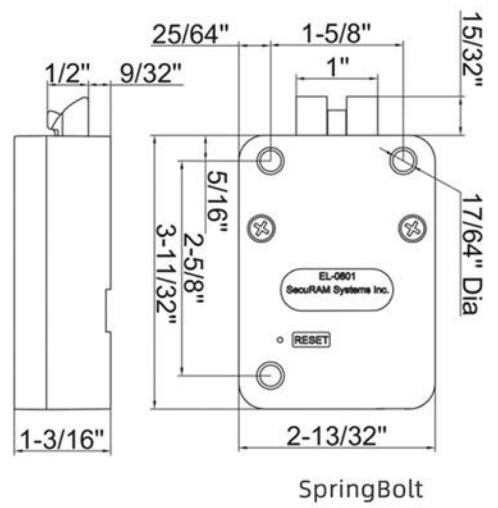
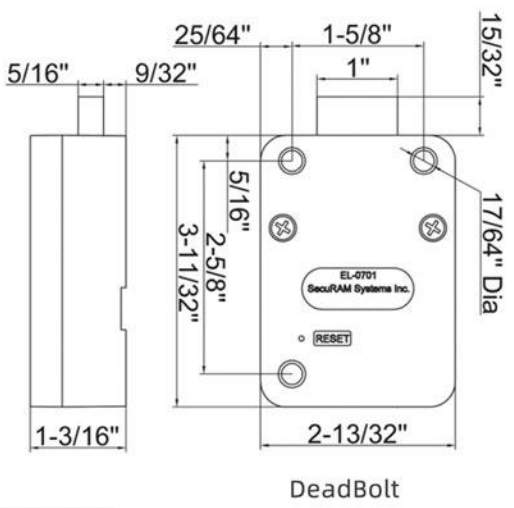
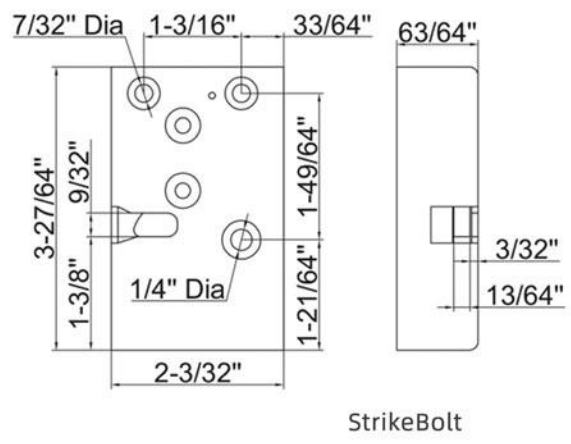
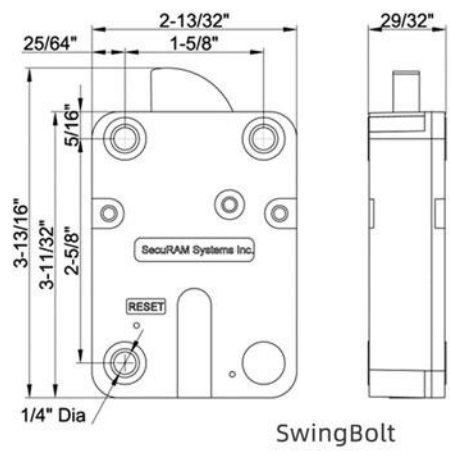
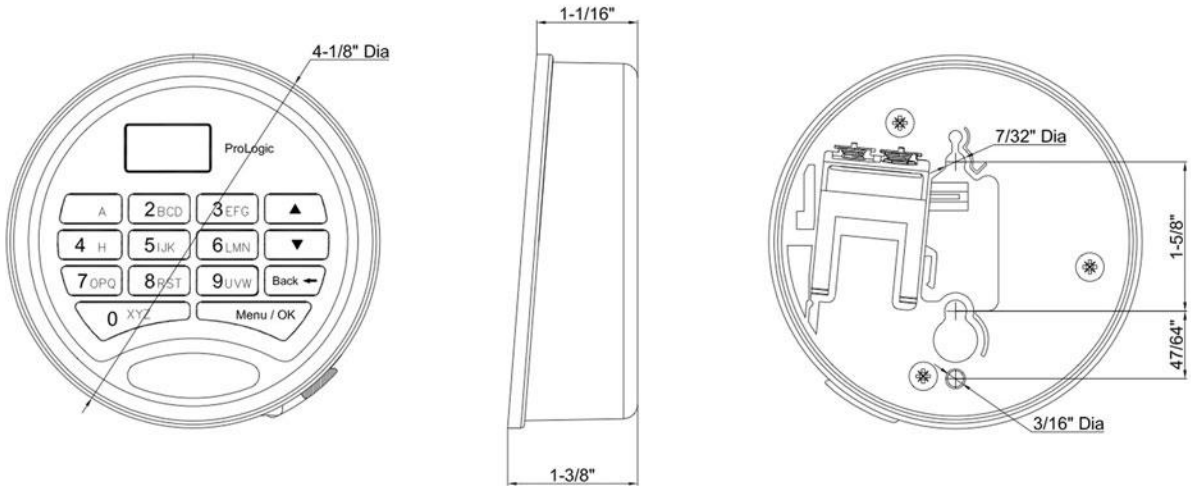
The ProLogic L01 is a very reliable and robust safe lock system ideal for most applications. The ProLogic L01 features SECURAM's rugged stainless steel construction and an OLED Screen for easy viewing and user feedback.

SIMPLE TO USE • RELIABLE

- Enter your 6 digit code and turn the safe handle. That's it.
- Easy keypad programming allows for code changes, additions, and deletions. Enable and Disable function also available.
- Every SECURAM lock undergoes a 2,000 cycle quality management program before it leaves the manufacturing facility.
- Unprecedented commitment to quality and reliability.

FEATURES

- LCD Screen for easy programming
- 3 User Codes
 - Super Code
 - Manager Code
 - User Code
- 6 Digit Code
- Penalty LockOut after 4 incorrect codes
- Stainless Steel EntryPad Housing
- Can be paired with any SECURAM Lock
- Simple Mechanical Reset
- Standard footprint makes for easy retrofit
- SureLock Battery Management
- Finishes: Chrome



| Specifications | |
|---------------------|------------------------------------|
| Power Supply | (1) 9V Alkaline Battery (Duracell) |
| Battery Life Span | About one year |
| Code Length | 6-8 Digits |
| Standby Current | <50uA |
| Battery Low Voltage | 5.4+/-0.2V |
| Operating Humidity | 90% Maximum |



SECURAM

PROLOGIC L02



PROLOGIC L02 SAFE LOCK

The ProLogic L02 is a very reliable and robust safe lock system ideal for commercial applications. The ProLogic L02 features SECURAM's rugged stainless steel construction and a backlit OLED Screen for easy viewing, programming and user feedback.

SIMPLE TO USE • RELIABLE

- Enter your 6 digit code and turn the safe handle. That's it.
- OLED Menu system guides the user through access and programming procedures.
- Time Delay usage prompts make TD access easy.
- Every SECURAM lock undergoes a 2,000 cycle quality management program before it leaves the manufacturing facility.
- Unprecedented commitment to quality and reliability.

FEATURES

- OLED Screen for easy programming
- 30 User Codes: 2 Manager Codes, and 28 User Codes
- Super Code for programming management and control
- 6 or 8 Digit Code
- Time Delay 0-99min; Time Window 1-15min
- Time Delay Override Codes
- Recovery Code
- Single or Dual Control Modes
- Enable/Disable User Codes
- Can Control up to 4 locks
- Penalty LockOut after 4 incorrect codes
- Stainless Steel EntryPad Housing
- Can be paired with any SECURAM Lock
- Standard footprint makes for easy retrofit
- Finishes: Chrome

SECURAM

PROLOGIC L22



PROLOGIC L22 SAFE LOCK

The ProLogic L22 is a very reliable and robust safe lock system ideal for commercial applications with time/date stamped audit capability. The ProLogic L22 features SECURAM's rugged stainless steel construction and a backlit OLED Screen for easy viewing, programming and user feedback.

SIMPLE TO USE • RELIABLE

- Enter your 6 digit code and turn the safe handle. That's it.
- OLED Menu system guides the user through access and programming procedures.
- View Audit trail records on screen.
- Every SECURAM lock undergoes a 2,000 cycle quality management program before it leaves the manufacturing facility.
- Unprecedented commitment to quality and reliability.

FEATURES

- OLED Screen for easy programming
- 30 User Codes: 2 Manager Codes, and 28 User Codes
- Super Code for programming management and control
- 6 or 8 Digit Code
- 200 Event Date/Time stamped audit trail
- Time Delay 0-99min; Time Window 1-15min
- Time Delay Override Codes
- Recovery Code
- Single or Dual Control Modes
- Enable/Disable User Codes
- Can Control up to 4 locks
- Penalty LockOut after 4 incorrect codes
- Stainless Steel EntryPad Housing
- Can be paired with any SECURAM Lock
- Standard footprint makes for easy retrofit
- Finishes: Chrome

Part # EC-0601A-L22-C-II-CH

SECURAM

PROLOGIC L62



PROLOGIC L62 SAFE LOCK

The ProLogic L62 is a very reliable, highly advanced safe lock system ideal for the most demanding commercial applications. The ProLogic L62 is a full featured safe lock system that incorporates wireless connectivity for easy audit download to Wireless Link or viewable on the onboard OLED screen for local management.

SIMPLE TO USE • RELIABLE

- OLED Menu system guides the user through access and programming procedures.
- View Audit trail records on screen or download wirelessly to Wireless Link.
- Every SECURAM lock undergoes a 2,000 cycle quality management program before it leaves the manufacturing facility.
- Unprecedented commitment to quality and reliability.

FEATURES

- OLED Screen for easy programming
- 30 User Codes: 2 Manager Codes, and 28 User Codes
- Super Code for programming management and control
- 6 or 8 Digit Code
- 500 Event Date/Time stamped audit trail
- Wireless audit download to Wireless Link+
- Time Delay 0-99min; Time Window 1-15min
- Time Delay Override Codes -selectable
- Recovery Code
- Single or Dual Control Modes
- Enable/Disable User Codes
- Max Door Open Time - Alert
- Dual Mode Group - set some users in Dual mode
- Auto DayLight Savings Time
- Can Control up to 4 locks w/ Lock Sequencing
- Can be paired with any SECURAM Lock
- Standard footprint makes for easy retrofit
- Finishes: Chrome



WIRELESS LINK

+Audit Software Package including Wireless Link
Part # WSK-Audit
sold separately

Part # EC-2001A-L62-C-II-CH

SECURAM

PROLOGIC L66



PROLOGIC L66 SAFE LOCK

The ProLogic L66 is a very reliable, highly advanced safe lock system ideal for the most demanding commercial applications. The ProLogic L66 is a full-featured safe lock system that incorporates wireless audit retrieval and TimeLock functionality for programmable time restricted access.

SIMPLE TO USE • RELIABLE

- OLED Menu system guides the user through access and programming procedures.
- View Audit trail records on screen or download wirelessly to Wireless Link.
- Every SECURAM lock undergoes a 2,000 cycle quality management program before it leaves the manufacturing facility.
- Unprecedented commitment to quality and reliability.

FEATURES

- OLED Screen for Easy programming
- 30 User Codes: 2 Manager Codes, and 28 User Codes
- Super Code for programming management and control
- 6 or 8 Digit Code
- 500 Event Date/Time stamped audit trail
- Wireless audit download to Wireless Link+
- TimeLock, Holiday Scheduling
- Time Delay 0-99min; Time Window 1-15min
- Time Delay Override Codes -selectable
- Recovery Code
- Single or Dual Control Modes
- Enable/Disable User Codes
- Max Door Open Time - Alert
- Dual Mode Group - set some users in Dual mode
- Auto DayLight Savings Time
- Can Control up to 4 locks w/ Lock Sequencing
- Can be paired with any SECURAM Lock
- Standard footprint makes for easy retrofit
- Finishes: Chrome



WIRELESS LINK

+Audit Software Package including Wireless Link
Part # WSK-Audit
sold separately

Part # EC-2001A-L66-C-II-CH

SECURAM

PROLOGIC L66 PLUS



PROLOGIC L66 PLUS SAFE LOCK

The ProLogic L66 Plus is a highly advanced safe lock ideal for the most demanding commercial applications. The ProLogic L66 Plus is a full-featured safe lock system that incorporates wireless audit retrieval and our largest OLED display for easy local management at the lock.

SIMPLE TO USE • RELIABLE

- Easier to Read: Large Organic LED Display: 1 -7/16" x 3/4"; 128 x 64 dot matrix display
- Simple on-screen prompts for easy field programming and audit trail viewing
- SureLock Battery Management System-allows for quick battery access and easy change-no need to remove the keypad

FEATURES

- Large OLED Screen for Easy programming
- 100 User Codes: 2 Manager Codes, and 98 User Codes
- Super Code for programming management and control
- 6 Digit Code
- 500 Event Date/Time stamped audit trail
- Wireless audit download to WirelessLink+
- TimeLock, Holiday Scheduling
- Time Delay 0-99min; Time Window 1-15min
- Time Delay Override Codes - selectable
- Recovery Code
- Single or Dual Control Modes
- Enable/Disable User Codes
- Max Door Open Time - Alert
- Dual Mode Group - set some users in Dual mode
- Auto DayLight Savings Time
- Can Control up to 4 locks w/ Lock Sequencing
- Can be paired with any SECURAM Lock
- SureLock Battery Management is standard, AC optional
- Standard footprint makes for easy retrofit
- Finish: Chrome



WIRELESS LINK

+Audit Software Package including Wireless Link
Part # WSK-Audit
sold separately

Part # EC-0601A-OL66-II-CH

SECURAM

PROLOGIC E66



PROLOGIC E66 SAFE LOCK

The ProLogic E66 is a very reliable, highly advanced safe lock system ideal for the most demanding commercial applications. The ProLogic E66 is a full featured safe lock system that incorporates dual credentials using encrypted eKeys in addition to a user code to provide highly secure access.

SIMPLE TO USE • RELIABLE

- Large OLED Menu system guides the user through access and programming procedures
- View Audit trail records on screen or download wirelessly to Lock Management software
- Every SECURAM lock undergoes a 2,000 cycle quality management program before it leaves the manufacturing facility. Unprecedented commitment to quality and reliability.

Features

- OLED Screen for Easy programming
- 30 User Codes: 2 Manager Codes, and 28 User Codes
- Super Code for programming management and control
- 6 or 8 Digit Code
- Dual Credential options using Code and eKey
- 500 event audit trail can be viewed on-screen
- Wireless Audit Download
- TimeLock , Holiday Scheduling
- Time Delay 0-99min; Time Window 1-15min
- Time Delay Override Codes for up to 30 Users
- Time Lock Override Capability for up to 30 Users
- Dual Mode Group - establish Group "A" and "B" : "A" + "B" required to open
- Single or Dual Control Modes
- Enable/Disable User Codes
- Auto Daylight Savings Time
- Supports single user mode and dual user mode
- EntryPad can control up to 2 locks with programmable lock sequence
- Stainless Steel EntryPad Housing
- SureLock Battery Management
- Recover System feature to reset the controller to factory default
- Can be paired with any SECURAM Lock
- AC Power optional
- Available finishes: Chrome



WIRELESS LINK

+Audit Software Package including Wireless Link Part # WSK-Audit sold separately

SECURAM PROLOGIC WEBLINK



PROLOGIC WEBLINK SAFE LOCK

The ProLogic WebLink is a very reliable, highly advanced safe lock system ideal for the most demanding commercial applications.

The ProLogic WebLink is a full featured safe lock system that connects to your secure network for remote programming and lock management. All programming is completed via the WebLink software, including adding and deleting users remotely, setting up alerts, changing lock parameters. ProLogic WebLink provides email and SMS text message alerts to communicate security violations.

SIMPLE TO USE • RELIABLE • REMOTE MANAGEMENT

- OLED Menu system guides the user through access and programming procedures
- Audit trail records are sent to the WebLink Remote Management Software instantly
- The ProLogic WebLink is programmed across your secure network using WebLink software*
**sold separately*

FEATURES

- Remotely Programmable using WebLink software* & Wireless Access Point*
 - 99 User Codes
 - Super Code for lock set up
 - 8 Digit Code
 - 1000 Event Audit Trail, unlimited Audit Trail on software
 - TimeLock - 4 time periods per day
 - Time Delay 0-99min; Time Window 1-15min
 - Time Delay Override Codes - assignable by user
 - Single or Dual Control Modes
 - Dual Manager Mode Group - Manager and Employee required to open
 - Auto DayLight Savings Time
 - Duress mode - alarm integration required with CB10-A
 - EntryPad can control up to 5 locks with programmable lock sequence
 - Recover System feature to reset the controller to factory default
 - Can be paired with SECURAM Lock: SwingBolt EL-0601-S and DeadBolt EL-0701
 - AC Power with Battery backup
 - Wireless Access Point required Part #WAP-20B*
 - Available finishes: Chrome
- +Required Accessories: CB20-1T6* or CB11-1T4*, AC/DC12*, WAP-20B*

**sold separately*

SECURAM

PROLOGIC R22

ONE TIME CODE



PROLOGIC R22 SAFE LOCK

The ProLogic R22 is a very reliable and robust safe lock system ideal for commercial applications where One Time Code controlled access is required. The ProLogic R22 features SECURAM's unique One Time Code user access system allowing controlled access for cash carriers and technicians.

SIMPLE TO USE • RELIABLE

- Static Code Users: Enter assigned 6 digit code to open lock.
- OTC Users: Enter assigned 6 digit code, the R22 then displays a random code. This random code must be decrypted by the R22 software to create a 6 digit OTC access code. The User then enters the OTC access code to open the lock.
- A flexible, highly secure solution for cash safes, ATMs, and vaults.

FEATURES

- OLED Screen for easy programming
- 60 User Codes: 2 Manager Codes, 18 User Codes, 40 One Time Code Users
- Super Code for programming management and control
- 6 Digit Code
- 200 Event Date/Time stamped audit trail
- Time Delay 0-99min; Time Window 1-15min
- Time Delay Override Codes
- Recovery Code
- Single or Dual Control Modes
- Enable/Disable User Codes
- Can Control up to 4 locks
- Penalty LockOut after 4 incorrect codes
- Stainless Steel EntryPad Housing
- Can be paired with any SECURAM Lock
- Standard footprint makes for easy retrofit
- Finishes: Chrome

* Dispatch Software must be used to manage system (sold separately)
SOFTWARE PART # WSK-R22

PART # EC-2001A-R22-C-II-CCH

SECURAM

SCANLOGIC BASIC



SCANLOGIC BASIC SAFE LOCK

The ScanLogic Basic is a very reliable and robust biometric safe lock system ideal for Home safe, Gun safe and light commercial applications. The ScanLogic Basic features SECURAM's polycarbonate housing and an RF fingerprint sensor.

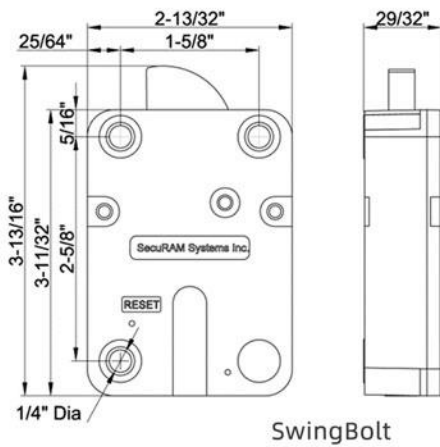
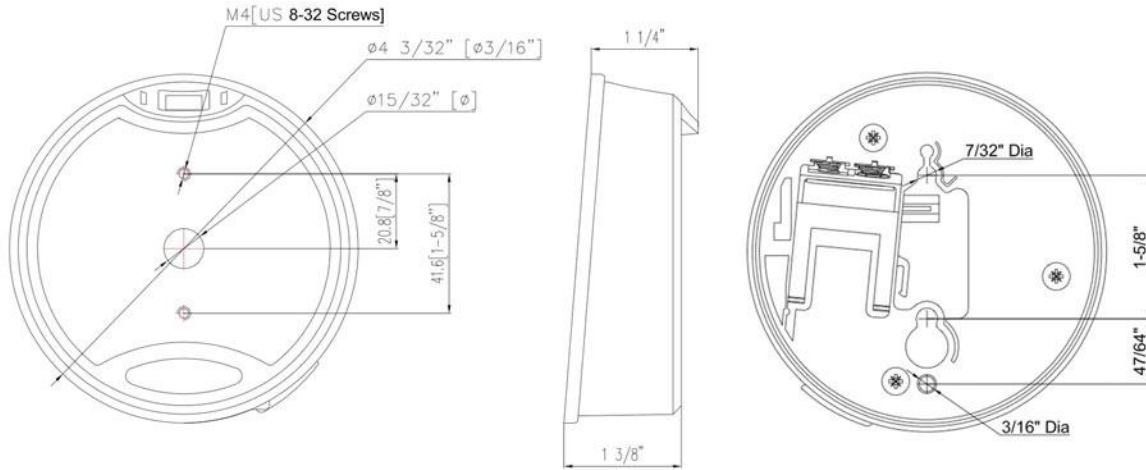
SIMPLE TO USE • RELIABLE

- Simply place your enrolled finger on the sensor and turn the safe handle. That's it.
- For code access, simply enter your 6 digit code
- ScanLogic Basic supports 3 codes and 5 associated fingerprints per code for a total of 15 fingerprints
- Every SECURAM lock undergoes a 2,000 cycle quality management program before it leaves the manufacturing facility. Unprecedented commitment to quality and reliability.

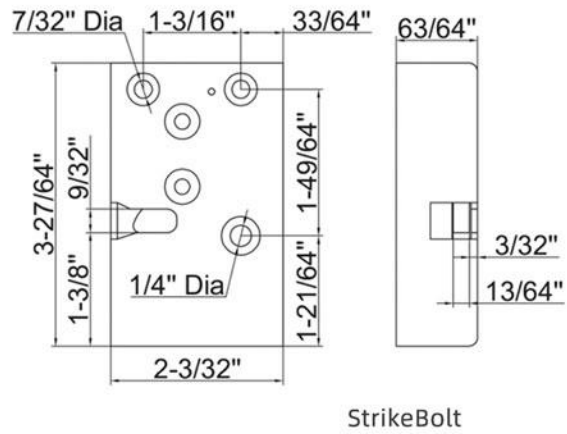
FEATURES

- Fast 1 second fingerprint access, sensor quickly reads your fingerprint in any position and automatically unlocks
- 3 codes and 5 associated fingerprints per code for a total of 15 fingerprints
- Administrator fingerprint or code is used to add new fingerprints
- Uses active RF sensor for fast authentication and reliable service
- Audible beeps and green/red light indicators makes programming easy
- Reset Code
- Stealth mode - turn beeper on/off
- 4,000+ openings on a 9 Volt battery (AC Power optional)
- Standard footprint and mounting pattern, easy retrofit for any mechanical or electronic safe lock
- Changing the battery is easy with our SureLock Battery Management system
- Finish: Matte Black

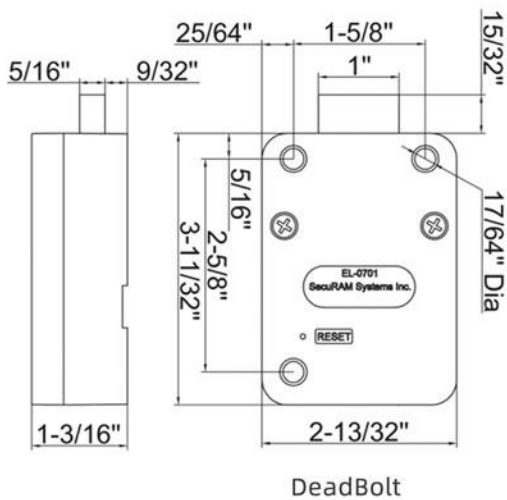
Part # FPC-1808-II-MB



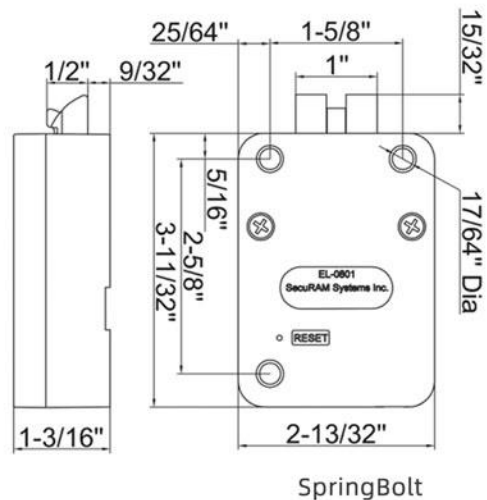
SwingBolt



StrikeBolt



DeadBolt



SpringBolt

Specifications

| | |
|---------------------|------------------------------------|
| Power Supply | (1) 9V Alkaline Battery (Duracell) |
| Battery Life Span | About one year |
| Code Length | 6-8 Digits |
| Standby Current | <50uA |
| Battery Low Voltage | 5.4+/-0.2V |
| Operating Humidity | 90% Maximum |

SECURAM

SCANLOGIC OPTICAL



SCANLOGIC OPTICAL SAFE LOCK

The ScanLogic Optical is a very reliable and robust biometric safe lock system ideal for commercial applications. It features SECURAM's rugged stainless steel construction, and optical fingerprint authentication.

SIMPLE TO USE • RELIABLE

- Place your registered finger on the optical reader and turn the safe handle. That's it.
- Easy fingerprint enrollment process.
- Open with fingerprint and/or code.
- ScanLogic Optical supports 30 fingerprints and 30 codes.
- Every SECURAM lock undergoes a 2,000 cycle quality management program before it leaves the manufacturing facility.
- Unprecedented commitment to quality and reliability.

FEATURES

- LCD Screen for easy programming
- 30 Fingerprints & User Codes: 2 Manager Codes, 28 User Codes
- Super Code programming management and control
- 10 Digit Code
- Level 1 - Code Only
- Level 2- Fingerprint & Code
- Level 3 -Fingerprint or Code
- Time Delay 0-99min; Time Window 1-15min
- Time Delay Override Codes
- Recovery Code
- Single or Dual Control Modes
- Enable/Disable User Codes
- Can Control up to 4 locks
- Penalty LockOut after 4 incorrect codes
- Stainless Steel EntryPad Housing
- SureLock Battery Management
- Can be paired with any SECURAM Lock
- Finishes: Chrome, Brass, Black Chrome

Part # FPC-0601A-II

SECURAM

SCANLOGIC AUDIT



SCANLOGIC AUDIT SAFE LOCK



The ScanLogic Audit is a very reliable and robust biometric safe lock system ideal for commercial applications. It features SECURAM's rugged stainless steel construction, optical fingerprint authentication and 500 event audit reporting.

SIMPLE TO USE • RELIABLE

- Place your registered finger on the optical reader and turn the safe handle. That's it.
- Easy fingerprint enrollment process.
- Open with fingerprint and/or code.
- ScanLogic Audit supports 30 fingerprints and 30 codes.
- Every SECURAM lock undergoes a 2,000 cycle quality management program before it leaves the manufacturing facility. Unprecedented commitment to quality and reliability.

FEATURES

- LCD Screen for easy programming
- 30 Fingerprints & User Codes: 2 Manager Codes, 28 User Codes
- Super Code programming management and control
- 10 Digit Code
- 500 Event Time/Date stamped Audit Trail
- Level 1 - Code Only
- Level 2- Fingerprint & Code
- Level 3 -Fingerprint or Code
- Time Delay 0-99min; Time Window 1-15min
- Time Delay Override Codes
- Recovery Code
- Single or Dual Control Modes
- Enable/Disable User Codes
- Can Control up to 4 locks
- Penalty LockOut after 4 incorrect codes
- Stainless Steel EntryPad Housing
- SureLock Battery Management
- Can be paired with any SECURAM Lock
- Finishes: Chrome, Brass, Black Chrome

Part # FPC-0601A-II

SECURAM

SCANLOGIC D22



SCANLOGIC D22 SAFE LOCK



The ScanLogic D22 is a very reliable and robust biometric safe lock system ideal for commercial applications. The ScanLogic D22 features a 10 digit numeric EntryPad with SECURAM's rugged stainless steel construction, optical fingerprint authentication and 1000 event audit reporting.

SIMPLE TO USE • RELIABLE

- Place your registered finger on the optical reader and turn the safe handle. That's it.
- Easy fingerprint enrollment process.
- Open with fingerprint and/or code.
- ScanLogic D22 supports 30 fingerprints and 30 codes plus a 1000 event date and time stamped audit trail.
- Every SECURAM lock undergoes a 2,000 cycle quality management program before it leaves the manufacturing facility.
- Unprecedented commitment to quality and reliability.

FEATURES

- Supports 30 fingerprints with our patented OneTouch fingerprint verification - 6 digit codes
- 30 Fingerprints & User Codes: 2 Manager Codes, 28 User Codes
- Support hierarchical user management with Super, Manager, Supervisor and User Fingerprints/Codes
- Super Code programming management and control
- 1000 event date and time stamped audit trail
- Programmable Time Delay 0-99 minutes; 0-15 minute Time Window
- Time Delay Override Codes - selectable
- Duress Time Delay allows you to program the Time Delay value when under duress operation
- Recovery Code
- Single or Dual Modes
- Enable / Disable User Codes
- Can Control up to 4 locks and authorize user access for each lock
- Standard footprint and mounting pattern, easy retrofit for any mechanical or electronic safe lock
- SureLock Battery Management and AC power optional
- Finishes available: Chrome
- Can be paired with any SECURAM Lock

PART # FPC-0601A-D22-C-II-CH

SECURAM

SCANLOGIC D66



SCANLOGIC D66 SAFE LOCK

The ScanLogic D66 is a very reliable and robust biometric safe lock system ideal for commercial applications. The ScanLogic D66 features SECURAM's rugged stainless steel construction, optical fingerprint authentication and 1000 event audit reporting. The ScanLogic D66 offers wireless connectivity for convenient audit trail download to Wireless Management software.

SIMPLE TO USE • RELIABLE

- Place your registered finger on the optical reader and turn the safe handle. That's it.
- Easy fingerprint enrollment process.
- Open with fingerprint and/or code.
- ScanLogic D66 supports 30 fingerprints and 30 codes plus a 1000 event date and time stamped audit trail.
- Every SECURAM lock undergoes a 2,000 cycle quality management program before it leaves the manufacturing facility.
- Unprecedented commitment to quality and reliability.

FEATURES

- Supports 30 fingerprints with our patented OneTouch fingerprint verification - 6 digit codes
- 30 Fingerprints & User Codes: 2 Manager Codes, 28 User Codes
- Support hierarchical user management with Super, Manager, Supervisor, and User Fingerprints/Codes
- Super Code programming management and control
- 1000 event date and time stamped audit trail
- Wireless Audit Download
- Programmable Time Delay 0-99 minutes; 0-15 minute Time Window
- Time Delay Override Codes - selectable
- Duress Time Delay allows you to program the Time Delay value when under duress operation
- Recovery Code
- Single or Dual Modes
- Enable / Disable User Codes
- Can Control up to 4 locks and authorize user access for each lock
- Standard footprint and mounting pattern, easy retrofit
- SureLock Battery Management and AC power optional
- Finishes available: Chrome
- Can be paired with any SECURAM Lock

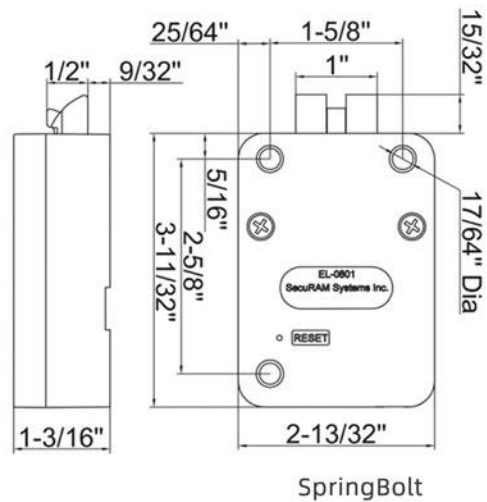
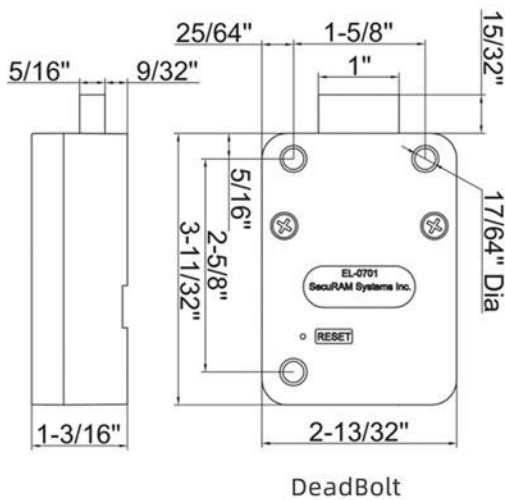
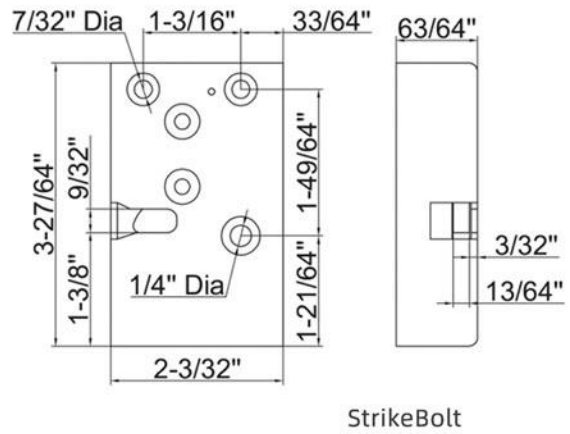
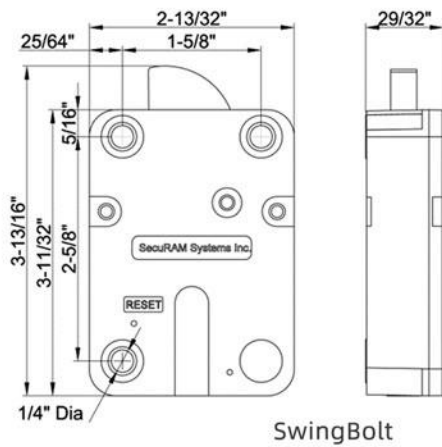
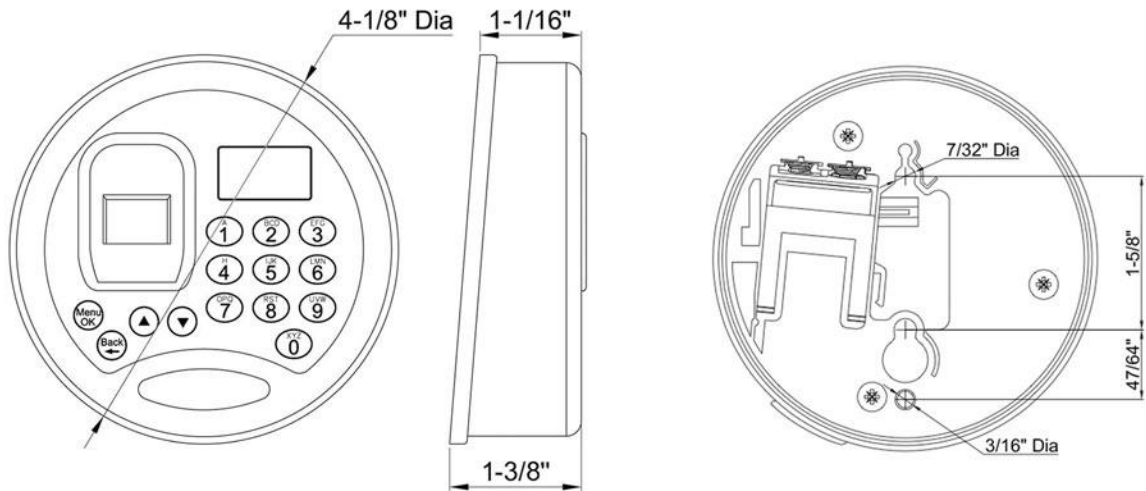


WIRELESS LINK

+Audit Software Package including Wireless Link Part # WSK-Audit sold separately

SECURAM

www.securamsys.com



| Specifications | |
|---------------------|------------------------------------|
| Power Supply | (1) 9V Alkaline Battery (Duracell) |
| Battery Life Span | About one year |
| Code Length | 6 Digits |
| Standby Current | <50uA |
| Battery Low Voltage | 5.4+/-0.2V |
| Operating Humidity | 90% Maximum |



SECURAM

RELIABLE
INNOVATIVE
TRUSTED

www.securamsys.com

SINCE
1991

6 LOCATIONS
ACROSS AUSTRALIA
& NEW ZEALAND

Victoria HQ

140-158 Dryburgh Street
North Melbourne, VIC 3051

P 03 9329 7222

F 03 9329 2570

E lsc@lsc.com.au

Queensland

15-17 Jeays Street
Bowen Hills, QLD 4006

P 03 9329 7222

F 03 9329 2570

E qld@lsc.com.au

New South Wales

44 Skarratt Street
Silverwater, NSW 2128

P 02 9647 8111

F 02 9647 8100

E nsw@lsc.com.au

Western Australia

9 Brennan Way
Perth, WA 6104

P 08 9328 7488

F 08 9227 7363

E wa@lsc.com.au

South Australia

5 West Thebarton Rd,
Thebarton, SA 5031

P 08 8223 2999

F 08 8223 1777

E sa@lsc.com.au

New Zealand

32a Poland Road
Glenfield, Auckland 1310

P +64 9 444 5117

F +64 9 444 5119

E info@lscnz.co.nz

LSC  Complete
SECURITY
SOLUTIONS
lsc.com.au